

Project: _____	AIA# _____
Item #: _____ Qty: _____	SIS# _____
Model #: _____	

## Portable Bar for Glassware with Space for Refrigerator

PBGR90-12, PBGR96-12, PBGR96-18



PBGR96-18



### Standard Features

- Weather resistant stainless steel construction.
- Stainless steel bottle rail with PVC plastic sound deadening cover. Rail includes clear snap-on liquor identification label cover.
- Glass storage pan with perforated insert and storage for three glass racks below.
- Cocktail ice bin with sliding cover and condiment cup area. Rear condiment area has hinged stainless steel sanitary cover with three (12") or four (18") cups.
- Iced beverage storage bin with separate drain to prevent contamination of ice used to make cocktails. Drain includes flexible hose and on/off valve for draining when convenient.
- Eco friendly foamed-in-place insulation has zero impact on global warming or ozone depletion and a PVC plastic breaker strip around ice bin liners prevent thermal transfer from outside the ice bin so ice lasts longer.
- 6-gallon plastic drain tank with on-off valve to collect melting ice water from cocktail bin.
- Six 4" heavy-duty rubberized casters. The two bartender side corner casters are locking.
- Stainless steel front and side panels are welded to the 16-gauge stainless steel base for incredible durability.
- Stainless steel bar top and front and side panels have a plastic honey comb core for durability and sound deadening.
- Stylish feathered jewel finish on bar top hides scratches.

To view cleaning and care instructions, please visit: [https://www.glastender.com/PDF/F-423-011\\_ss\\_clean\\_care.pdf](https://www.glastender.com/PDF/F-423-011_ss_clean_care.pdf)

### Specifications

#### Glass Storage Cabinet

- Pan with perforated insert
- Storage for three 20" x 20" glass racks below work surface - 8" clearance per row

#### Cocktail Bin Liner

- 12" model: 10"w by 15"d by 10-1/2"h, 33 lbs ice capacity
- 18" model: 16"w by 15"d by 10-1/2"h, 50 lbs ice capacity

#### Plastic Drain Tank

- Collects waste water from cocktail bin. An air gap prevents back up into ice bin.
- Includes on/off drain valve
- Slides out for draining

#### Condiment Area

- 12" cocktail bin: 3 cups
- 18" cocktail bin: 4 cups

#### Casters

- Six 4" heavy-duty rubberized casters
- The two corner bartender side casters are locking

#### Iced Beverage Bin Liner

- PBGR90-12 model: 10"w by 15"d by 10-1/2"h
- PBGR96-12 model: 16"w by 15"d by 10-1/2"h
- PBGR96-18 model: 10"w by 15"d by 10-1/2"h

#### Materials

- 20 gauge stainless steel parts include: all components except as listed below.
- 18 gauge stainless steel parts include: bar top and bar top belly pan.
- 16 gauge stainless steel parts include: base and base stiffener channels.
- 14 gauge stainless steel parts include: drain tank mounting angle, bar top mounting angles, rack slides, and speed rail end.
- PVC plastic parts include: breaker strip around ice bin liners and speed rail step and rail covers.

#### Refrigerator Area

- 36"w by 25"d by 38-1/4"h
- Refrigerator not included. Glastender model C1FB36 or ST36 recommended.
- If non-Glastender refrigerator is being used, verify power cord can exit the front of the 36" opening.

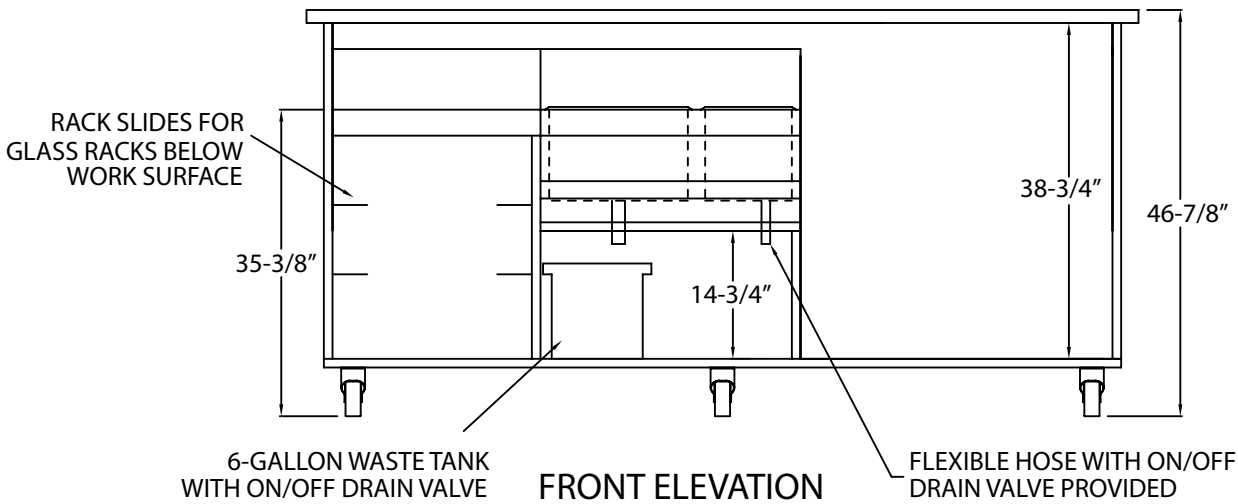
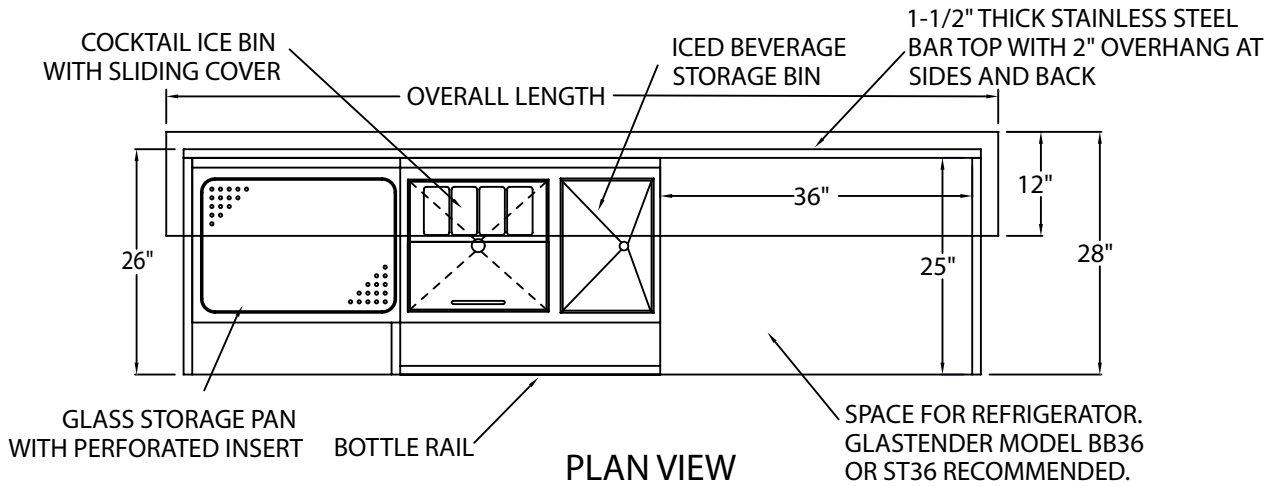
Glastender, Inc. • 5400 N Michigan Rd • Saginaw, MI • 48604-9780  
989.752.4275 • 800.748.0423 • Fax 989.752.4444  
www.glastender.com

Approval/Notes:

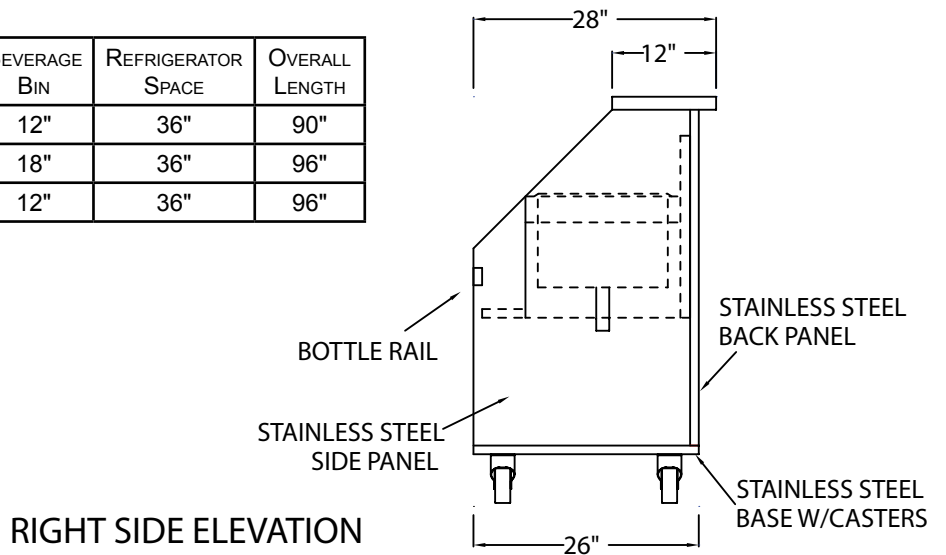
Specifications subject to change without notice. For current specifications please visit our website.

# Portable Bar for Glassware with Refrigeration Space

## Dimensional Information



	GLASS STORAGE CABINET	COCKTAIL ICE BIN	BEVERAGE BIN	REFRIGERATOR SPACE	OVERALL LENGTH
PBGR90-12	24"	12"	12"	36"	90"
PBGR96-12	24"	12"	18"	36"	96"
PBGR96-18	24"	18"	12"	36"	96"



5400 N Michigan Rd • Saginaw, MI • 48604-9780  
 989.752.4275 • 800.748.0423 • Fax 989.752.4444  
 www.glastender.com