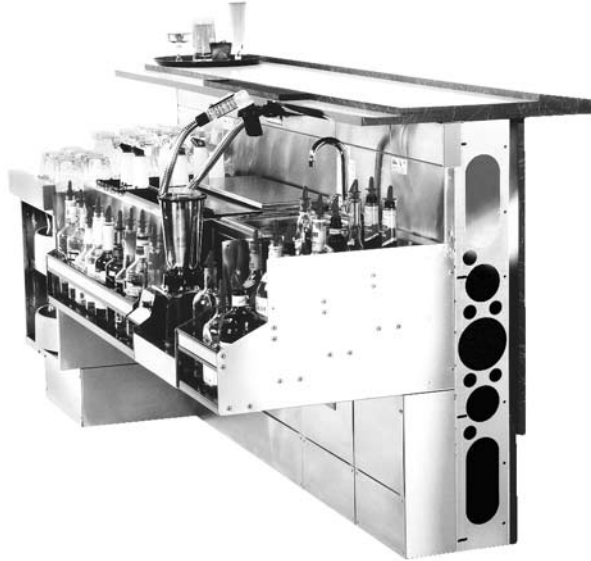




Project: _____	AIA# _____
Item #: _____ Qty: _____	SIS# _____
Model #: _____	

Modular Bar Die

MD



Modular Bar Die shown with underbar line-up. Millwork bar top and front panels are not included.

Standard Features

- 16 gauge galvanized steel structure with stainless steel bartender side finishing
- GFI outlets built in to bar die wall based on customer preference
- Fluorescent lights built in to bar die wall above underbar equipment
- Built in chaseways for beer, soda, plumbing, and electrical lines.
- Stainless steel from floor to bar top on bartender side
- Floor can be sealed to the bar die to prevent moisture from seeping from the bartender side to the customer side of the bar
- Galvanized steel structure will not rot
- Built in chaseways hide beer, soda, plumbing, and electrical lines for a cleaner, more attractive bar
- Arrives pre-assembled from factory in sections up to 10 feet long for easy installation - lowers installation costs. Just bolt the sections together, level, and attach the floor
- Pre-engineered to exact dimensions to ensure a precise fit
- Can be used in conjunction with removable front millwork finishing panels to provide easy access to soda, beer, plumbing, and electrical lines for future modification, maintenance, or repair
- Millwork bar top and front panels can be pre-fabricated and easily attached
- Eliminates all underbar legs for easy cleaning.

Specifications	Product Information
-----------------------	----------------------------

Interior Finish

- 20 gauge stainless steel

Sub-structure

- 16 gauge galvanized steel

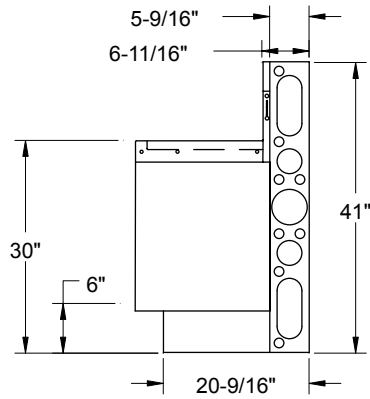
With the Glastender Modular Bar Die, underbar equipment is mounted to and supported on the bar die. All the underbar equipment is pre-assembled and mounted to the bar die at the factory, then broken down into shippable sections. Installation of the bar die is very simple - easier than a conventional style underbar with a millwork bar die. The result is a beautiful, innovative underbar line up that is sealed to the floor, stainless from floor to bar top, eliminates all underbar leg sets, and hides the soda, beer, electrical, and plumbing lines.

Glastender, Inc. • 5400 North Michigan Road • Saginaw, MI • 48604-9780 989.752.4275 • 800.748.0423 • Fax 989.752.4444 www.glastender.com	Approval/Notes:
Specifications subject to change without notice. For current specifications please visit our website.	

Modular Bar Die

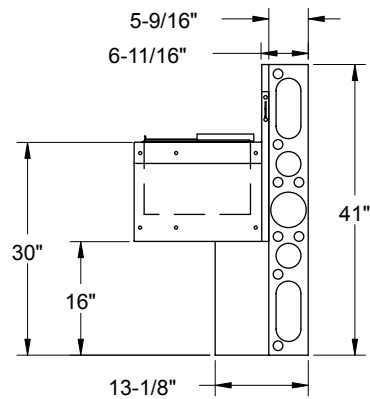
Dimensional Information

NOTE: Duplex outlets are positioned 12" A.F.F. to the center of the outlet. It is the customer's responsibility to verify the height, size, and location of any and all duplex outlets prior to fabrication, making sure they meet local building and electrical codes. Glastender must be notified of any deviations from standard. Glastender is not responsible for any modifications required in the field.



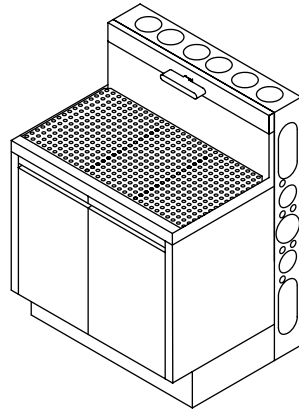
Cabinet Base End View

There are three types of Modular Bar Die: flat wall, pedestal base, and cabinet base. Rough-in space varies with the type of base. Flat wall sections occur where there is no equipment or where the equipment is removable (glasswashers, coolers, mug frosters, etc.). Pedestal bases are the most common since they are used for standard underbar that is normally on 16" legs. Cabinet style underbar equipment, typically on 6" legs, will receive a cabinet style base.

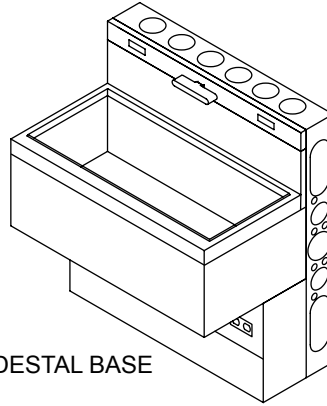


Pedestal Base End View

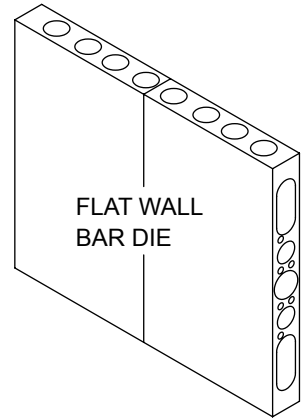
Modular Bar Die orders include an installation "foot print" which shows the dimensions of the bar die as it touches the floor. The foot print drawing is used as a reference in the field for placement of soda, beer, plumbing, and electrical rough-ins prior to delivery of the equipment.



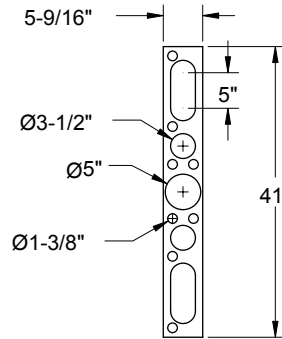
CABINET BASE



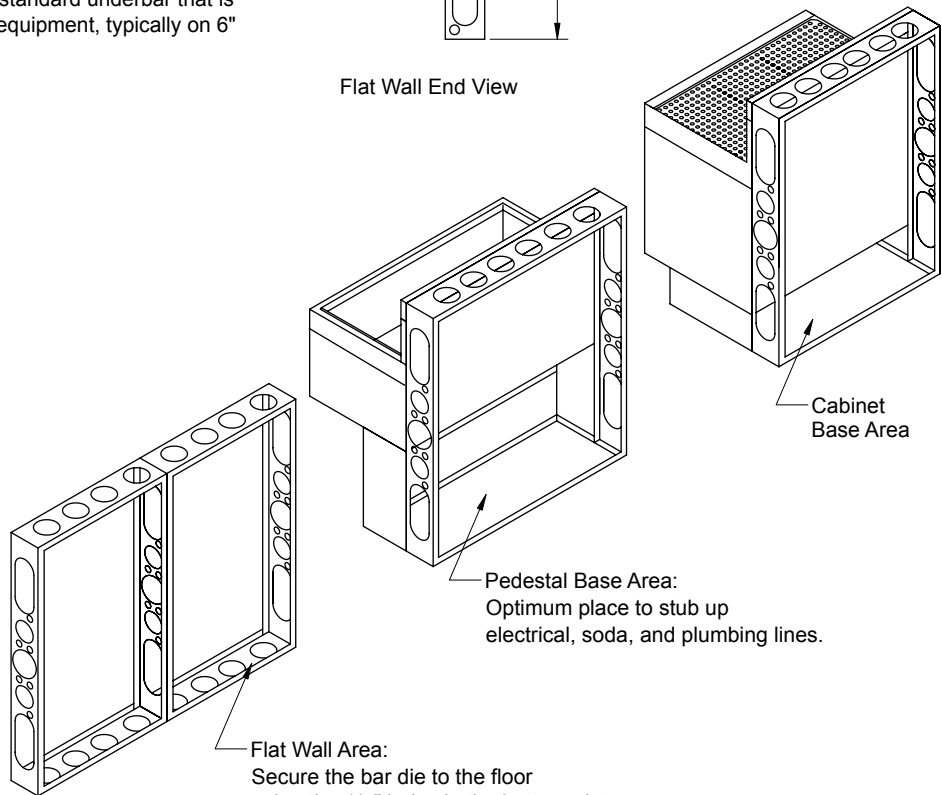
PEDESTAL BASE



FLAT WALL BAR DIE



Flat Wall End View



Cabinet Base Area

Pedestal Base Area:
Optimum place to stub up electrical, soda, and plumbing lines.

Flat Wall Area:
Secure the bar die to the floor using the 1/4" holes in the bottom plate.

NOTE: Individual section shown for illustrative purposes. Actual orders are shipped pre-assembled in sections up to ten feet long.



5400 North Michigan Road • Saginaw, MI • 48604-9780
989.752.4275 • 800.748.0423 • Fax 989.752.4444
www.glastender.com

Printed in USA